

GRANCH

Be conscientious manner to offer you our best service.
Benefit to customers ; Value to ourselves.

SUS304 Float Level Switch

SUS304 Float Level Switch



GLS using the material of Alluminum alloy,and T5 heat treatment,outside using anodizing that it look bright.

Granch' s float level switch improve the accuracy of sensor.Its detection range is eight mm,more than other five mm,reducing the mistake of detection.

The induction magnet is higher than iron oxide' s 1800 gauss,GLS use 4000 gauss that achieve to no error.



The sensor contact using B (Normal Close), voltage is 24V, ,it can adjust the length of float pole.

It have reed switch and limit switch.



Dimensions

Instruction	GLS-***
Induction	Magnetic
Voltage	DC 6V~30V
Current	100mA-MAX
Operate Temp	-10°C~150°C



宏茂事業有限公司

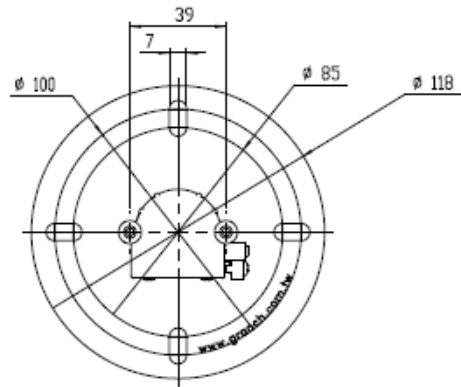
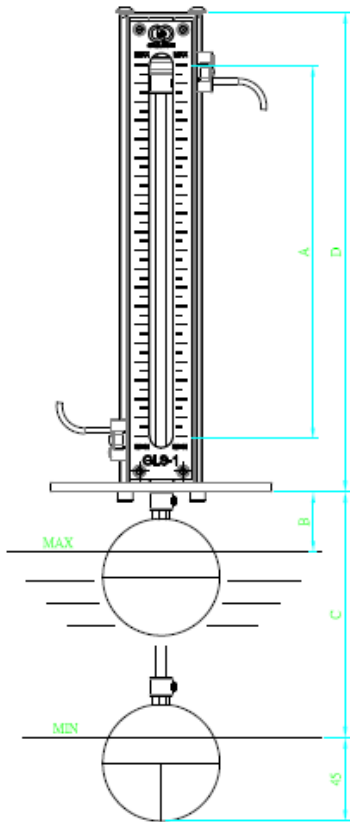
Granch Enterprise Co., Ltd.

Process components , Fil+Sep , Purification equipment

Tel : 886 4 22055738 / Fax: 886 4 22055750

E-mail : granch@granch-filter.com Website: <http://www.granch-filter.com/>

Size



編號	液位行程 A	上限高度 B	下限長度 C	本體總高 D
GLS-2-*	100	50	150	160
GLS-1-*	200	50	250	260
GLS-3-*	300	50	350	360
GLS-4-*	400	50	450	460
GLS-5-*	500	50	550	560
GLS-6-*	600	50	650	660

Example

